

Training: Course One — Board Functionality

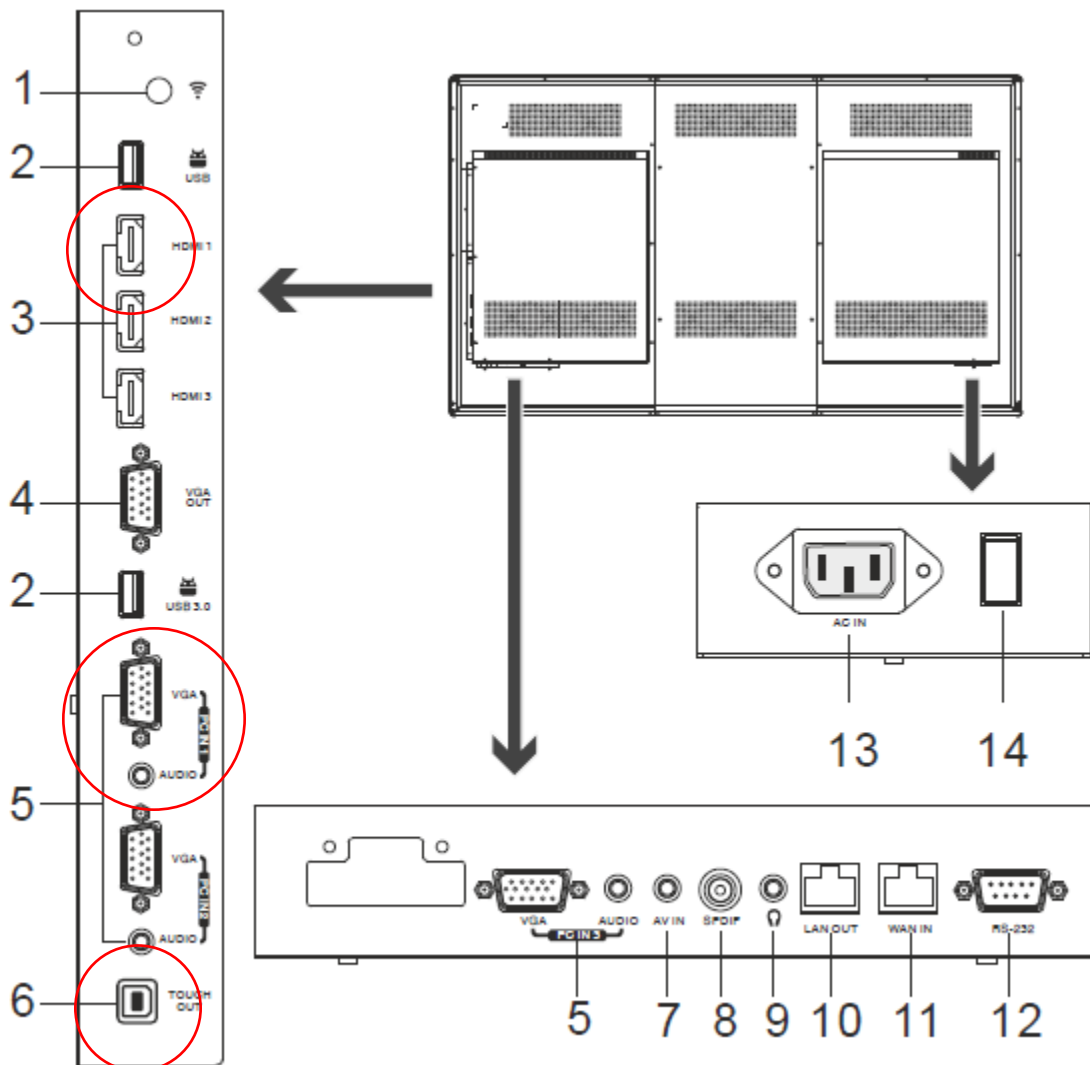
SimplicityTouch

Interactive Flat Panel

Setup of Board

The SimplicityTouch (ST) will either be wall mounted or mounted to a mobile stand. To use the SimplicityTouch with you PC you will need to connect the ST to your PC with a VGA cable (with stereo audio) or an HDMI cable (with audio built in). At this point you will be able to mirror or extend your desktop image onto the ST. In order to use touch you will additionally need to connect the ST to your PC via a USB cable.

Image: Input & Output Connections for ST-700



- 1 - Wifi Antenna
- 2 - Android USB port
- 3 - HDMI 1/2/3 Port
- 4 - VGA Passthrough
- 5 - VGA Input w/PC Audio In
- 6 - IR Touch Out

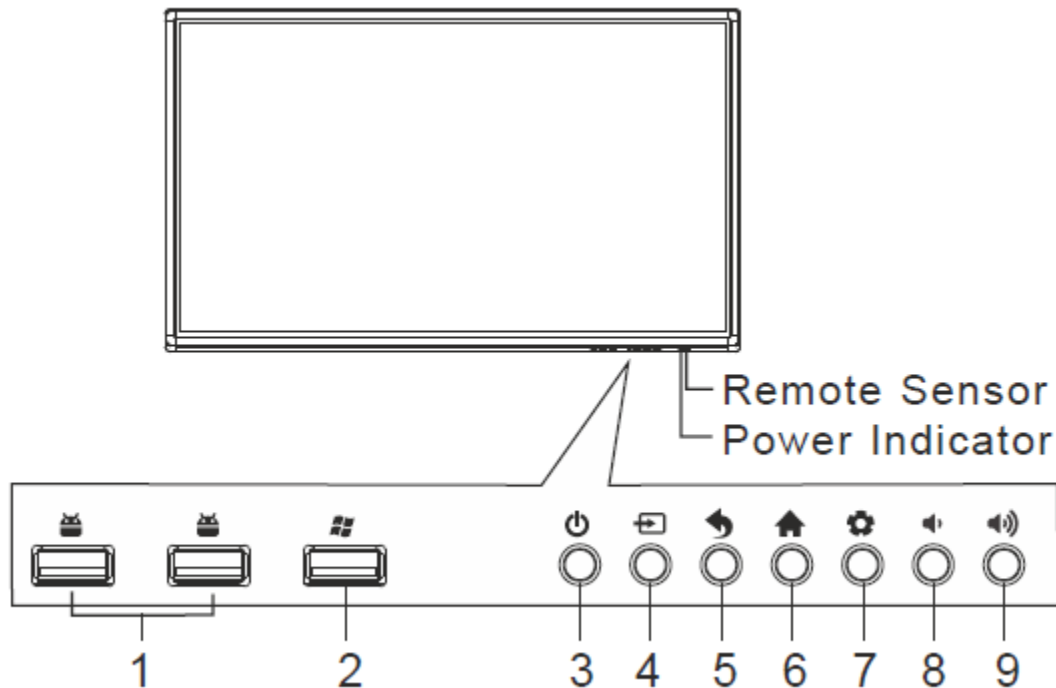
- 7 - AV In (mini jack)
- 8 - SPDIF (audio out)
- 9 - Headphone Line Out
- 10 - LAN Out
- 11 - WAN In
- 12 - RS232 Control Port

- 13 - Power Plug
- 14 - Power Switch (hard off)

Use of Buttons on Front of SimplicityTouch

There are several function buttons on the front of the panel.

Image: Front buttons



1. 📱: Android USB Port – Connect USB Flash Drive or Document Camera to Panel
2. 🖱️: USB Port for use with optional OPS computer.
Note: This port is not utilized in the configuration selected by the school district.
3. ⏻: Power Button. This is a soft on/off. Panel is in standby mode when light is red.
4. 📺: Input Source Selection. Push button to bring up input source menu. Press Again to exit source menu.
5. ⏪: Back Button. This button will exit menu option. Also used to exit apps in Home Screen.
6. 🏠: Home Screen Button. This button will open the Android Home Screen. Here users can run Android applications in standalone mode without an attached PC.
7. ⚙️: Settings Button. Press to enter settings menus.
8. 🔊: Decrease Volume Button. Press to lower volume.
9. 🔊: Increase Volume Button. Press to raise volume.

Use of On Screen Menus

To navigate the On-Screen Menu use your finger to touch the selection you want or use the remote control (arrows) to navigate the menu and then press OK or Back button on the remote control.

Image: On Screen Menus



Switching Inputs (VGA & HDMI)

The panel is equipped with three VGA and three HDMI inputs. You may have multiple devices connected and need to switch between inputs. I.e. you may want to switch between the PC on VGA 1 and the NovoConnect on HDMI 1. To do this press the Input button on the panel or the remote and then press the input you want to switch to.

Image: Input Menu

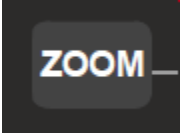


VGA Input vs. HDMI Input

Typically VGA inputs are going to be displaying a lower resolution image such as 1280x1024 or 1024x768. Typically HDMI inputs will display at higher resolutions such as 1376x768 or 1280x720 or 1920x1080.

Using Zoom on Remote to Correct Image Scaling

If the image is not filling all of the screen (blank space around image) or if the image is running off the edges of the screen (image is cut off) then use the ZOOM button on the remote control to change the aspect ratio until you find the setting that fits your display and your input source resolution.



PC vs Android Operation Modes

The SimplicityTouch can be operated with a PC (via HDMI or VGA) or it can be operated in stand-alone mode through the built in Android operating system.

Typically most instruction will continue to occur from your PC with the SimplicityTouch acting as a giant touch screen display for you to project your PC image and interact with content from your PC via ten point multi-touch.

However, in some cases you may find it convenient to use the built in Android operating system. This is particularly useful when your PC is not available.

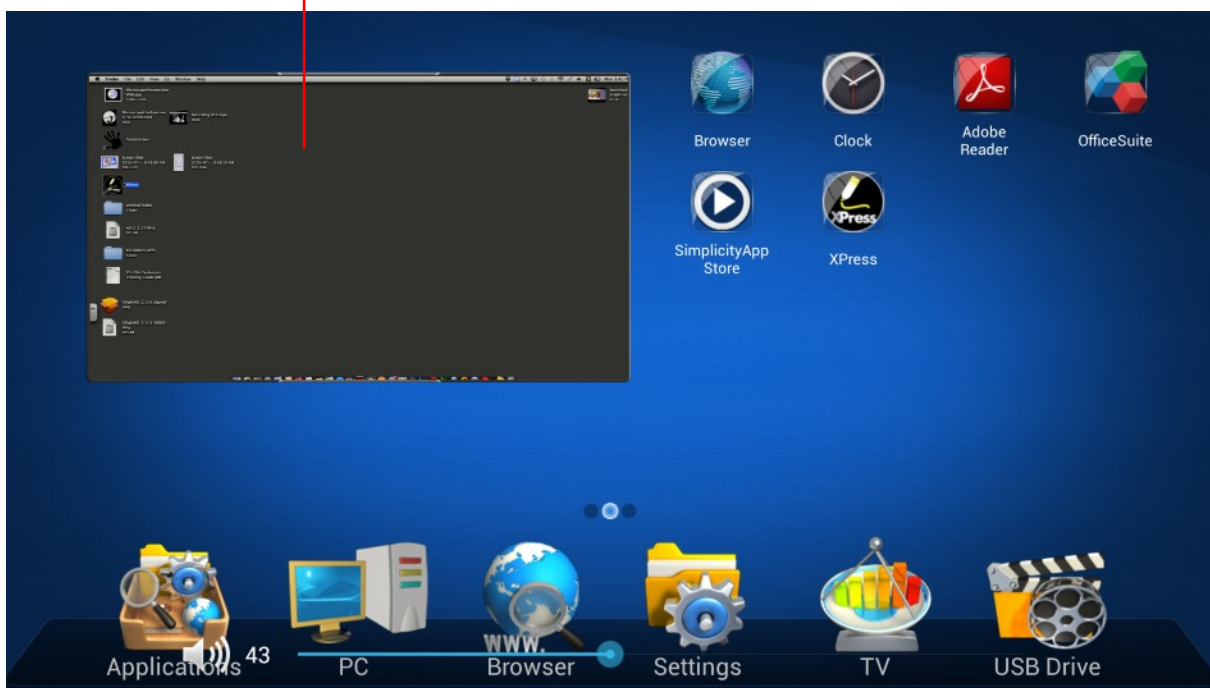
To “go into Android mode” simply press the Home button on the front of the panel or remote control.



How to Exit the Android HomeScreen

To exit the Android Home Screen press the back button to exit any applications and then tap the picture in picture window that shows the HDMI or VGA input source. Note, if there isn't a source connected the picture in picture window will be black.

Picture in Picture Window
(tap to exit Home Screen)



Adjusting the Sound

Your panel may be set to Sound Mode: Mic which will limit the volume at 50%. This is intended to prevent potential feedback if using a classroom mic system. However, many users wish to override this setting. To change the sound mode simply point the remote at the panel and press the S.M. Button to change the sound mode from Mic to Standard.

To adjust the volume use the button on the panel or the buttons on the remote.

In the Android mode you can also press the volume button once and then use your finger to drag the volume slider left or right. NOTE: this does not work if you are in HDMI or VGA mode.

Image: Sound Mode Button on Remote

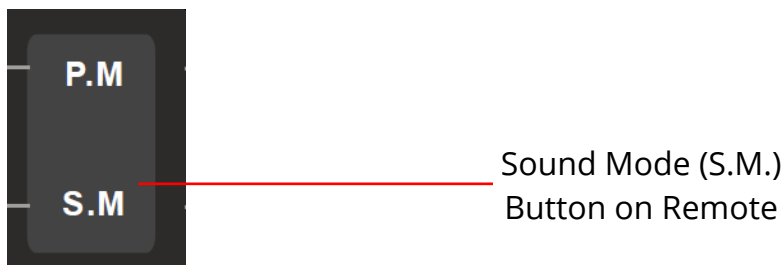


Image: Sound Mode displayed on screen.

